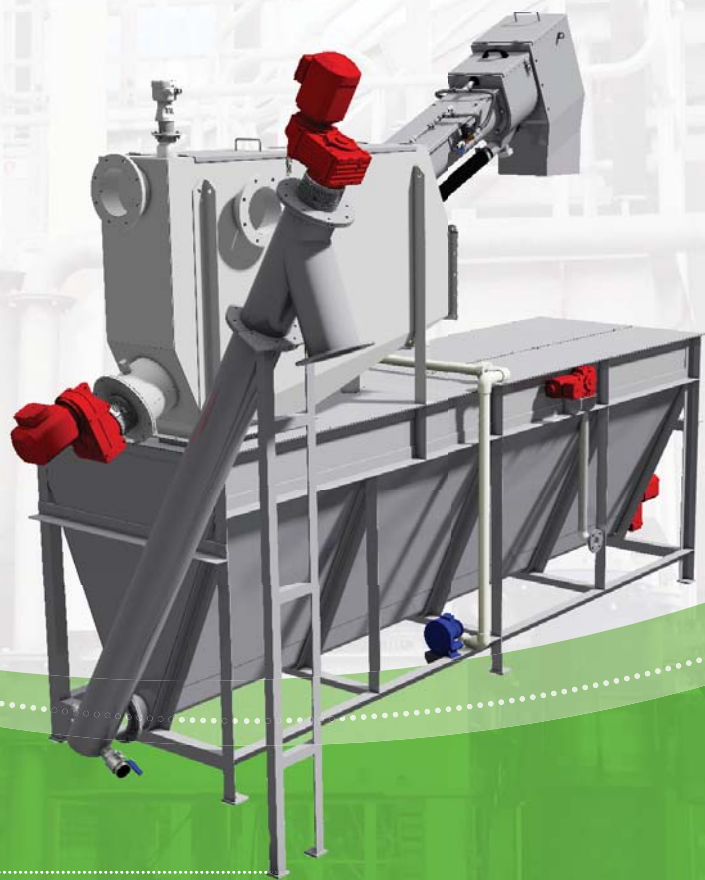




SPIRAC[®]
Solid Handling Solutions

COMBIGUARD[®]

PREFABRICATED INLET WORKS
SOLUTION FOR THE REMOVAL
OF SCREENINGS AND GRIT



FEATURES AND BENEFITS

- ◆ A complete screening, grit capture and washing system.
- ◆ Designs and layout able to be customised to suit client-specific requirements.
- ◆ Space-saving solution for facilities requiring low equipment footprint.
- ◆ Lower capital cost, power consumption and wash-water usage.
- ◆ A prefabricated solution that requires greatly reduced installation time on site.
- ◆ SPIRAC technology with few moving parts, meaning lower maintenance and down time.
- ◆ Simple and reliable operation due to low head loss.
- ◆ Effective operation across a wide flow.

COMBIGUARD® INLET WORKS PACKAGES

Bringing together a number of SPIRAC's most effective product solutions, the COMBIGUARD® has been developed to meet the requirements of small- to large-size municipal communities, for the removal of screenings and grit.

SPIRAC offers a range of individual equipment solutions for wastewater treatment plants. Such a diverse product range coupled with a high level of knowledge and expertise makes our sales, design and project management teams able to offer packaged inlet works solutions for the smallest to largest WWTP.

The COMBIGUARD® unit combines the features of:

SPIROGUARD Compact Cleaner (CC)

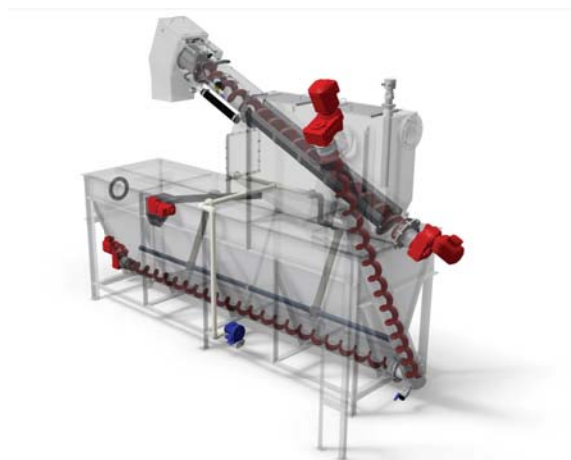
This machine combines screening, conveying, dewatering and removal of solids from effluent and process streams in one compact machine. The screen ideally suited as a tanker reception facilitator screening separation unit. SPIROGUARD® is robust, easy to install and, with only one moving part, virtually maintenance free. Slow speed combined with automatic intermittent

operation ensures a reliable and efficient system. The SPIROGUARD® CC Screen is designed as a standalone unit for pump-fed or tanker gravity flow applications.

SANDSEP® Classifier

The SANDSEP® is a highly efficient unit designed to separate grit and other pollutants from process and effluent streams. The design of the inlet section reduces turbulence to a minimum and creates an optimum flow pattern for efficient settling. The solids settle in the bottom of the classifier, which contains a spiral. The spiral transports the sediment slowly (speeds are kept to around 5 RPM to minimise turbulence) to an inclined or vertical conveyor, which then discharges the grit.

COMBIGUARD® is your solution when you need to create a complete end-to-end wastewater pre-treatment plant, that covers all of the applications required for municipal facilities. When brought together with screenings washing, dewatering and flotation, a complete inlet works system can be created.

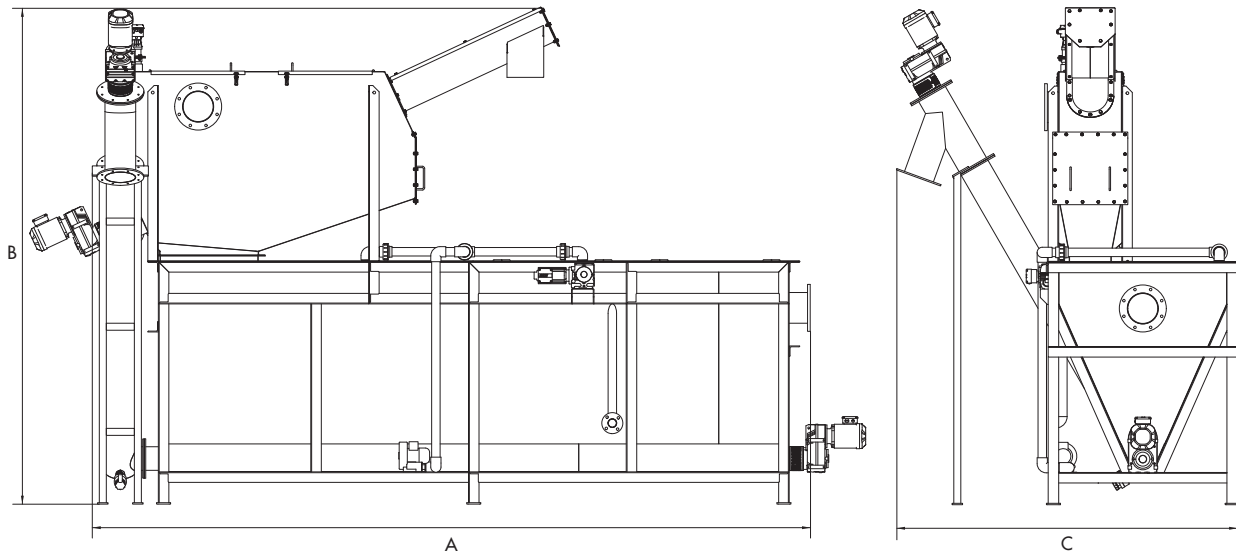


COMBIGUARD® Type1 including press head

Type 1:

SPIROGUARD® with or without Manual Bar Screen by-pass and a SAL (Rectangular tank with horizontal & incline conveyors). The following options are available:

- ▶ Aeration diffuser system for retention of organics during low or no flow conditions
- ▶ Fat, oil, grease (FOG) skimmer
- ▶ Press head for cost effective dewatering and compaction of screenings
- ▶ Longopac bagging systems for complete containment of screenings and grit



Model	A (in)	B (in)	C (in)	Nominal Capacity (gpm)
CG-200-040	143	134	97	630
CG-250-060	202	140	97	950
CG-250-080	261	140	97	1260
CG-300-100	320	147	97	1580
CG-350-120	379	148	97	1900
CG-400-140	438	158	97	2140
CG-400-160	497	158	97	2500



*COMBIGUARD® Type2 including SPIROGUARD®,
Grit Vortex and SANDWASH™*

Type 2:

Usually involves STEPGUARD® (Step Screen) with or without Manual Bar Screen by-pass, SPIROWASH®, Grit Vortex Unit and SANDSEP®.

We offer a wide range of equipment combinations, and screens enabling this type of COMBIGUARD® to be adapted to any requested flow requirement.



Type 3:

SPIROGUARD® “piggybacked” on a SANDSEP® with optional manual bar screen bypass.



Type 4:

Involves STEPGUARD® (Step Screen) with or without Manual Bar Screen by-pass, SPIROWASH® and SAL (Rectangular tank with horizontal & incline conveyors).



USA
SPIRAC (USA) Inc
Newnan GA
+1 770 632 9833
sales@spirac.com

UNITED KINGDOM
SPIRAC Limited
Banbury
+44 (1) 295 270 335
conveyors@spirac.co.uk

SWEDEN
SPIRAC AB
Limhamn
+46 40 36 22 00
info@spirac.se

NETHERLANDS
SPIRAC BV
Maarheeze
+31 (0) 495 430 203
info@spirac.nl

AUSTRALIA
SPIRAC Pty Ltd
Western Australia (Perth)
+61 8 9434 0777
New South Wales (Sydney)
+61 2 8811 4100
Victoria (Melbourne)
+61 3 9717 1199
Queensland (Brisbane)
+61 7 3482 4230
info@spirac.com.au