

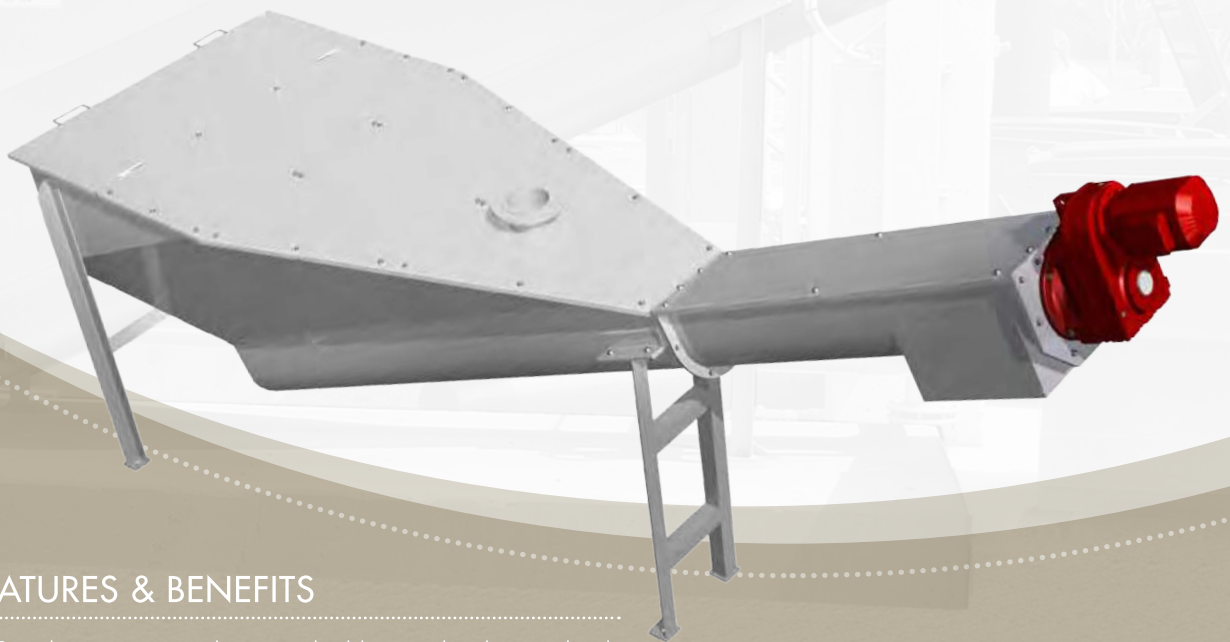


SPIRAC®

Solid Handling Solutions

SANDSEP®

HIGH-EFFICIENCY CLASSIFIER DESIGNED TO SEPARATE GRIT AND OTHER HEAVY PARTICLES FROM PROCESS AND EFFLUENT STREAMS



FEATURES & BENEFITS

- ▶ Spiral conveying = eliminates build up and is designed with no intermediate or end bearings under water.
- ▶ Low speed = long life-expectancy.
- ▶ Low energy consumption = cost savings.
- ▶ Compact and robust design = low maintenance.

The SANDSEP® is a highly efficient dewatering device designed to handle grit and sedimenting pollutants in sewage treatment plants.

The SANDSEP® is typically used in sewage treatment plants for grit, and in paper mills or industrial plants for sand, bark, glass and metal pollutants. There is also a special design for handling floating materials. The inlet section is designed to keep turbulence to a minimum and creates an optimum flow pattern for efficient settling. The solids settle in the bottom of the classifier which contains a spiral. The inclined spiral transports the sediment slowly (speeds are kept to around 5 RPM) to minimize turbulence to the discharge.

The bottom conveyor is derived from the SPIRAC spiral range which offers:

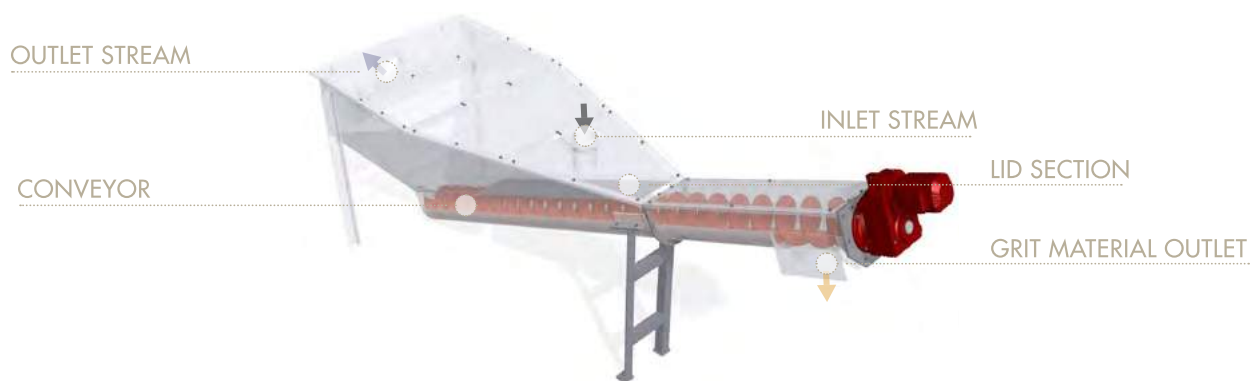
- ▶ Compact dimensions with optimal dewatering/transport capacity.
- ▶ Having no exposed bearings eradicates problems normally associated with wet applications.

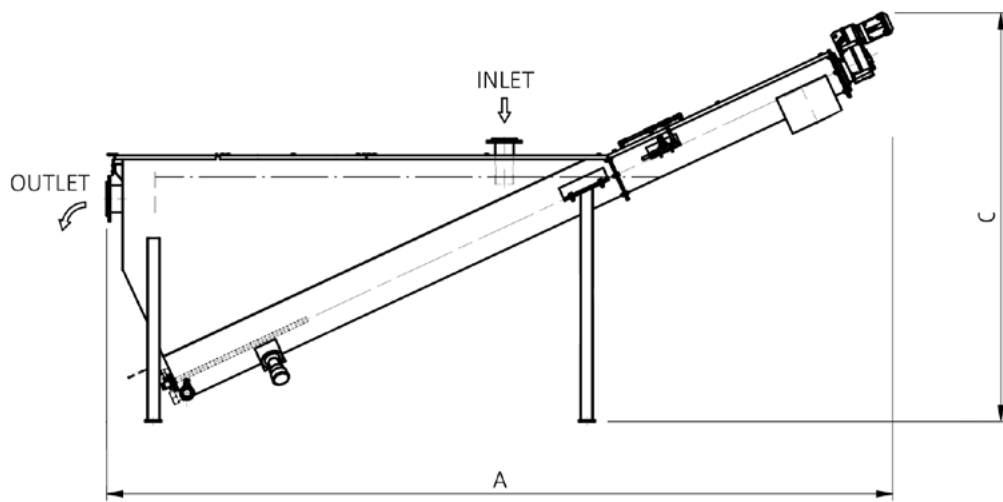
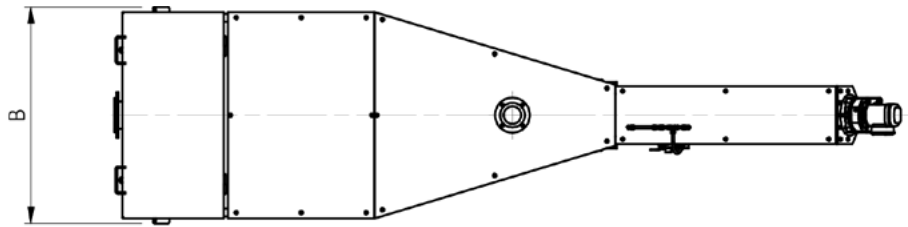
The SANDSEP®'s overflow weir arrangement avoids blockage from floating materials. It features minimal maintenance requirements due to:

- ▶ Its compact and robust design.
- ▶ Its direct-coupled gear-motor drive which does not use a central shaft and therefore eradicates the need for bearings and submerged seals.

STANDARD DESIGN

The SANDSEP® is equipped with a bolted lid over the tank and free length of the conveyor, and has an inspection door with easy opening over the overflow weir. The conveyor trough is equipped with wear bars. The drive unit is directly coupled to the driveshaft of the spiral.





MODEL	HYDRAULIC CAPACITY (gpm)	INFLUENT INLET-CONNECTION (NB)	EFFLUENT OUTLET-CONNECTION (NB)	DISCHARGE CAPACITY AT GRIT LOADING (yd ³ /hr)	MAX. MOTOR SIZE (hp)	A (in)	B (in)	C (in)	WEIGHT (lbs)	WATER VOL. (gal)
SA200	up to 80	3	4	0.4	0.5	133-9/16"	35-7/8"	70-7/8"	718	100
SA250	80 - 190	4	6	0.7	0.5	190-3/4"	44-1/2"	99"	1351	356
SA320	190 - 320	6	8	1.6	1.0	196-1/4"	59-1/1"	102-3/4"	1754	444
SA355	320 - 430	8	10	2.2	1.5	258-1/2"	62-1/4"	131-3/10"	2486	821
SA420	430 - 550	10	12	2.9	2.0	273-1/2"	74-1/16"	138-3/4"	3071	1027

Dimensions are for information only and not to be used for design. Please contact us for more details.



USA
SPIRAC (USA) Inc
Newnan GA
+1 770 632 9833
sales@spirac.com

UNITED KINGDOM
SPIRAC Limited
Banbury
+44 (1) 295 270 335
conveyors@spirac.co.uk

SWEDEN
SPIRAC AB
Limhamn
+46 40 36 22 00
info@spirac.se

NETHERLANDS
SPIRAC BV
Maarheeze
+31 (0) 495 430 203
info@spirac.nl

AUSTRALIA
SPIRAC Pty Ltd
Western Australia (Perth)
+61 8 9434 0777
New South Wales (Sydney)
+61 2 8811 4100
Victoria (Melbourne)
+61 3 9717 1199
Queensland (Brisbane)
+61 7 3482 4230
info@spirac.com.au