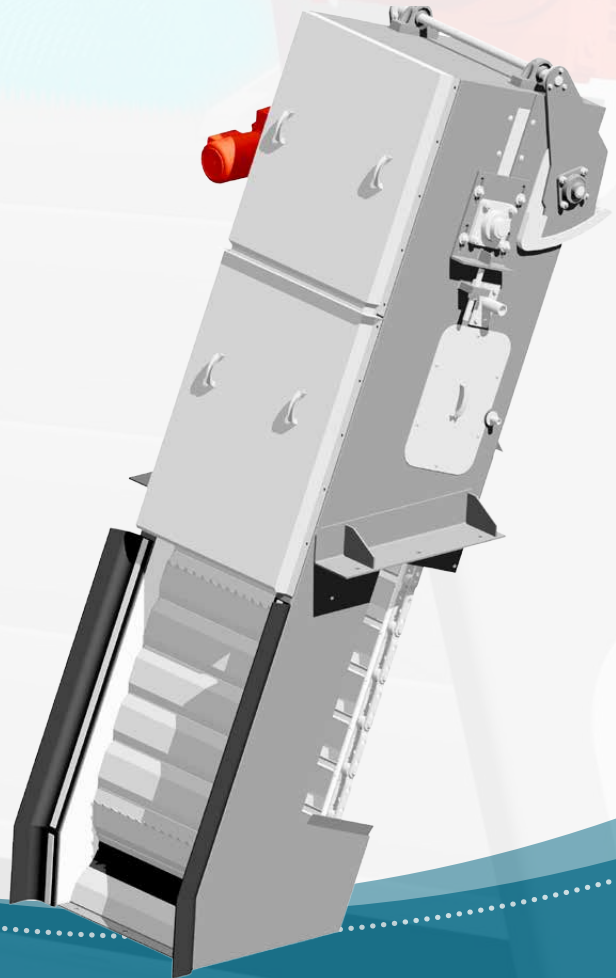




SPIRAC[®]
Solid Handling Solutions

FINEGUARD™ MOVING FINE SCREEN



FEATURES AND BENEFITS

- The screens can be designed to suit channel widths of up to 10ft (3m) and up to 12ft (4m) in depth.
- Available with 3mm to 6mm diameter perforated screen panels.
- Typical hydraulic flows from 0.9MGD (40 l/sec) to 57MGD (2,500l/sec).
- Two stage cleaning of screen media - including a rotating self adjusting brush and water jets, that requires only a low volume of wash water.
- Fully retractable spray bar - allows for easy access.
- Reliable and durable side sealing system made from wear resistant Ultra-high molecular weight polyethylene (UHMWPE).
- High Screen Capture Ratios (SCR%) to comparable screens:
 - 3mm diameter (Ø) perforated panel has a certified average SCR of 89% [UK Water Industry Research (UKWIR) – National Screen Evaluation Facility (NSEF) Certified].
 - 6mm Ø perforated panel has a certified average SCR of 81% [UKWIR – NSEF Certified].

The FINEGUARD™ is utilised for fine screening and removes both floating and submerged debris from incoming flows.

The FINEGUARD™ screen can be customised to suit a wide range of applications. The screen continually moves panels from the screening zone in front of the screen to the cleaning mechanism where the waste is removed from the perforated panels.

The FINEGUARD™ uses a two stage panel cleaning process. The first stage includes a self adjusting rotating brush which removes most of the debris. The second stage uses spray system to prevent screen panels becoming blinded by hair pinning and rags stapling. The fully removable spray bar allows cleaning if necessary. In case of accidental damage the panels are easy to replace.

Maintaining and servicing the FINEGUARD™ is simple, the majority of maintenance operations can be carried out at cope level and if required the screen

can be designed to be pivoted out of flow for maintenance purposes.

Each panel has a replaceable side seal manufactured from wear resistant plastics. The main structural side UHMW are manufactured for strength and rigidity. These plates incorporate side outlet passages at flow level to allow passage of screened flow minimising head loss.

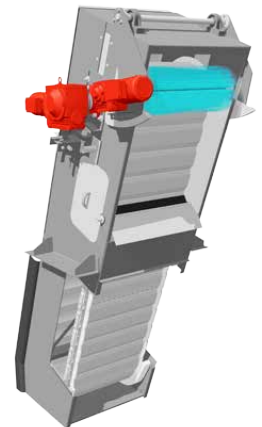
The FINEGUARD™ screen is fully guarded by stainless steel covers fixed to the main side structure. Dual speed or Variable speed units can also be supplied where high screenings volumes exist.



FINEGUARD™ test results

3mm and 6mm screen curtain aperture of the FINEGUARD™ were tested at the National Screen Evaluation Facility, Chester-le-Street STW, Co Durham. The average Screen Capture Rate (SCR) for the screen with 3 mm dia apertures was found to be 89% and the screen with 6mm dia apertures was found to be 81%.

These results compare favourably to similar Finescreens previously tested at the NSEF.



© SPIRAC. All rights reserved. V2.1, 07/2019



TALK TO US ABOUT YOUR SCREENING NEEDS.
Our wide range of screens guarantees we have the right solution for you.



SPIRAC (USA) INC.

Postal Address:
75 Jackson Street Suite
300 Newnan Georgia 30263

Phone. +1 (770) 632 9833
Fax. +1 (770) 632 9838
E-mail. sales@spirac.com

WWW.SPIRAC.COM