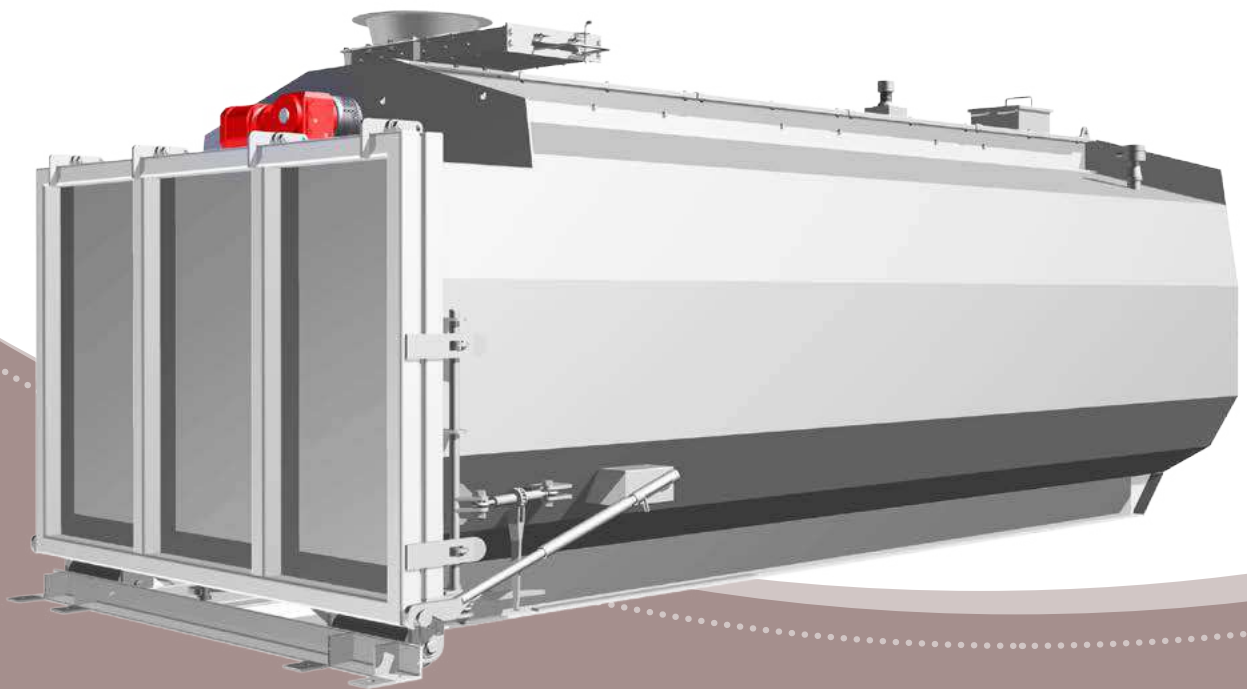




**SPIRAC**<sup>®</sup>  
Solid Handling Solutions

# SPIROTAINER<sup>®</sup>

AUTOFILLING CONTAINMENT AND  
ROAD TRANSPORT BIN SYSTEM



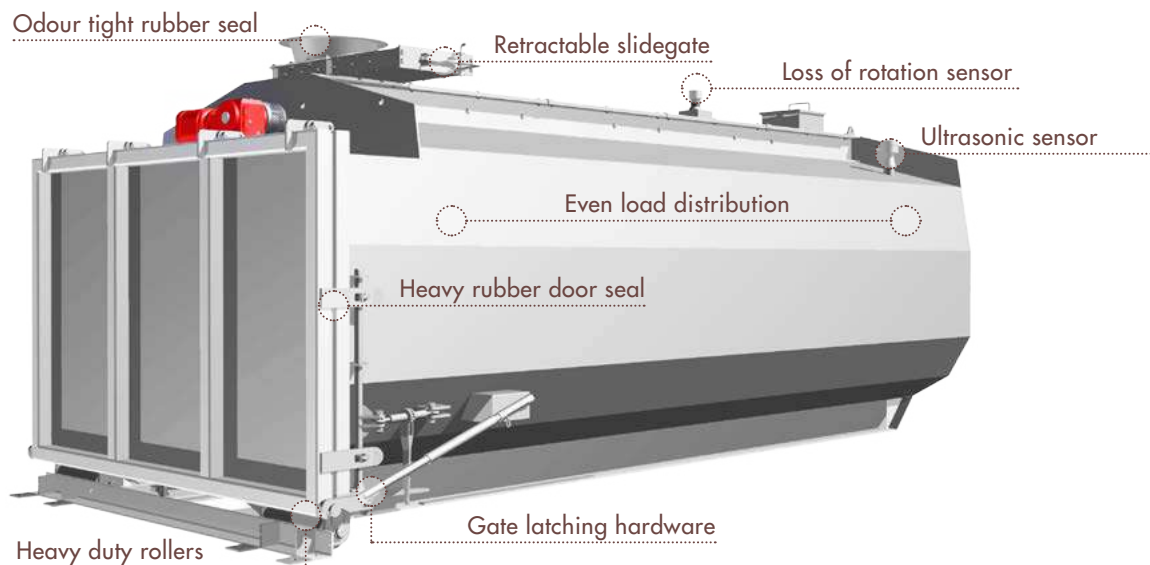
Combined with SPIRAC spiral conveyor systems, offensive waste products are transported, stored and removed from site with minimal operator intervention, virtually odour-, vermin- and insect-free.

A permanent onboard spiral conveyor and control system provide automated filling and level control while a robust door-sealing system ensures leakproof transport even with a large liquefied component. Standard truck lifting devices are incorporated into the design to facilitate transport. Once it has reached the destination, the SPIROTAINER® is emptied by simply tilting.



## BENEFITS OF A SPIROTAINER®

- ▶ Suitable for screenings, grit (together or separate), or sludge.
- ▶ Deployable outdoors and indoors.
- ▶ Even load distribution along full length of bin.
- ▶ Heavy duty closure and locking mechanism with durable rubber gaskets for a positive seal.
- ▶ Quick-connect power and control sockets.
- ▶ Ultrasonic level-filling sensors to prevent overfilling.
- ▶ Robust construction and extreme paint finish suited to the rigors of contract hauling.
- ▶ SPIROTAINER® eliminates the need for a specialized screenings building.
- ▶ Extending system capacity is as easy as adding another SPIROTAINER®.



### Storage capacity:

Nominal volumes are 10, 15 and 20m<sup>3</sup>.

### Filling Rate:

Up to 10m<sup>3</sup>/hr.

### Suitable for:

- ▶ Sewage screenings.
- ▶ Sewage sludge.
- ▶ Sand and grit.
- ▶ Food-processing by-products and waste streams.
- ▶ Industrial sludges, contaminants and general foul waste otherwise unsuitable for open top bins.

### Available materials of construction:

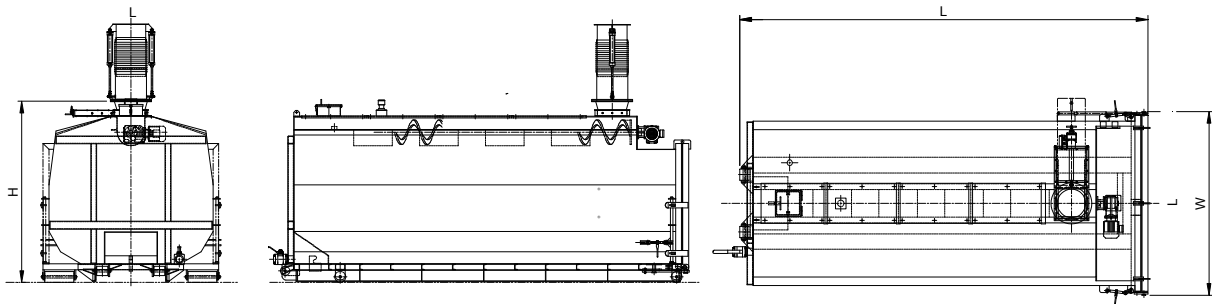
Typically manufactured from high spec mild steel or, for extreme applications, stainless steel.

### Corrosion Protection:

Many paint specifications are available to suit the requirements of different regions and climatic environments. These bins are generally located in corrosive, industrial environments and corrosion protection is critical to the long life-expectancy of these systems.

### Optional Inlet Chutes:

Flexible chute or pneumatic retractable chute.



Model	Volume (m <sup>3</sup> )	Length L (mm)	Width W (mm)	Height H (mm)	Weight (kg)
<b>Australia/Americas</b>					
STU-10	10	5704	2375	1750	2750
STU-15	15	5705	2375	2370	4000
STU-20	20	7055	2375	2370	5000
<b>Europe</b>					
STU-10	10	6415	2520	1918	2750
STU-15	15	6415	2520	2218	3500
STU-20	20	6415	2520	2468	4000

Dimensions are for information only and not to be used for design. Please contact us for more details.



1. OPTIONAL: AUTO CHANGEOVER SLIDEGATE WITH FLEX CHUTES
2. MULTI-BIN FILLINGS
3. DUMPING SLUDGE
4. SLUDGE SYSTEM WITH WEIGH SCALES AND RETRACTABLE CHUTES



**SPIRAC**  
WWW.SPIRAC.COM

**AUSTRALIA**  
**SPIRAC Pty Ltd**  
Western Australia (Perth)  
+61 8 9434 0777  
New South Wales (Sydney)  
+61 2 8811 4100  
Victoria (Melbourne)  
+61 3 9717 1199  
Queensland (Brisbane)  
+61 7 3482 4230  
info@spirac.com.au

**NETHERLANDS**  
**SPIRAC BV**  
Maarheeze  
+31 (0) 495 430 203  
info@spirac.nl

**SWEDEN**  
**SPIRAC AB**  
Limhamn  
+46 40 36 22 00  
info@spirac.se

**UNITED KINGDOM**  
**SPIRAC Limited**  
Banbury  
+44 (1) 295 270 335  
conveyors@spirac.co.uk

**USA**  
**SPIRAC (USA) Inc**  
Newnan GA  
+1 770 632 9833  
sales@spirac.com