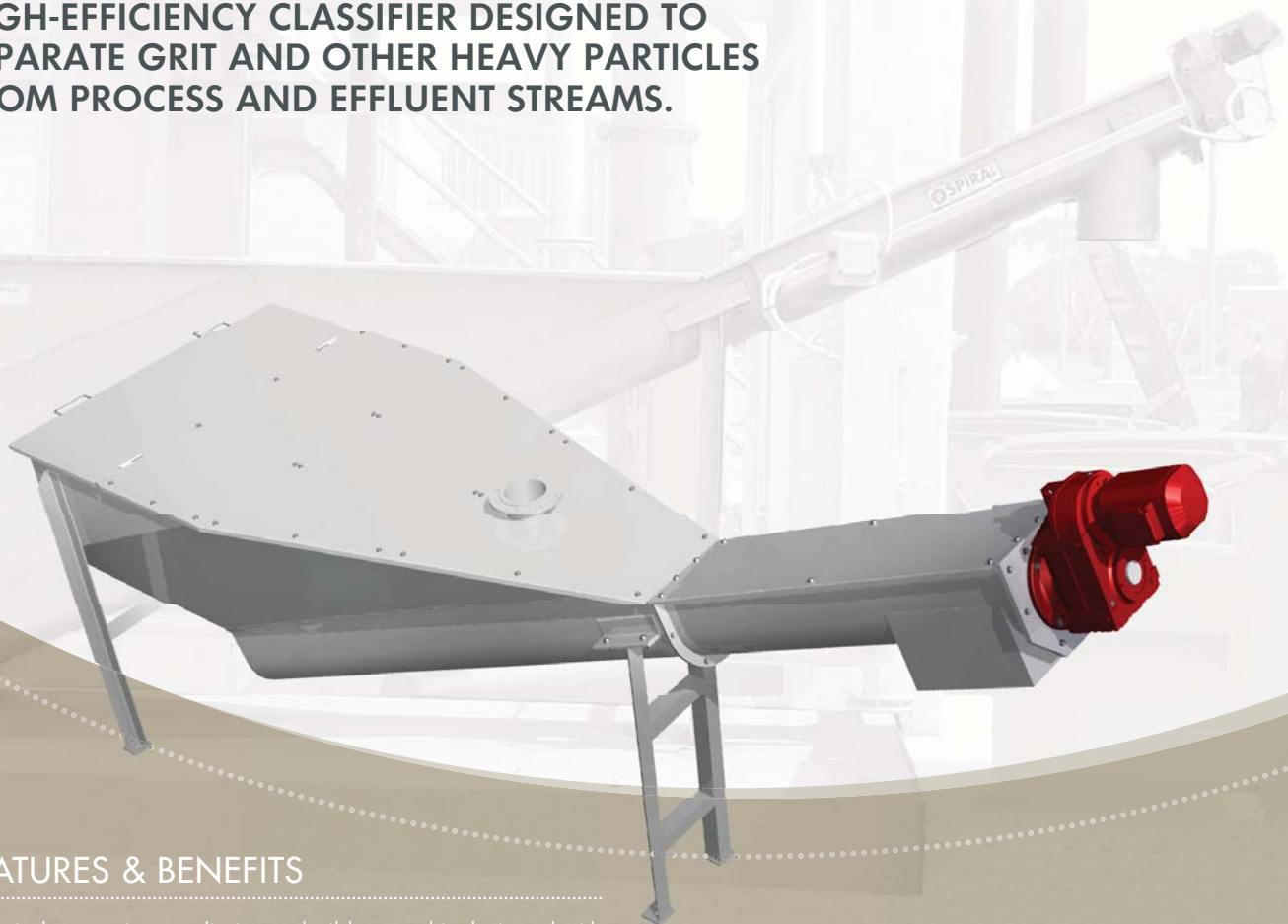




SPIRAC[®]
Solid Handling Solutions

SANDSEP[®]

HIGH-EFFICIENCY CLASSIFIER DESIGNED TO SEPARATE GRIT AND OTHER HEAVY PARTICLES FROM PROCESS AND EFFLUENT STREAMS.



FEATURES & BENEFITS

- ◆ Spiral conveying = eliminates build up and is designed with no intermediate or end bearings under water.
- ◆ Low speed = long life-expectancy.
- ◆ Low energy consumption = cost savings.
- ◆ Compact and robust design = low maintenance.

The SANDSEP® is a highly efficient dewatering device designed to handle grit and sedimenting pollutants in sewage treatment plants.

The SANDSEP® is typically used in sewage treatment plants for grit, and in paper mills or industrial plants for sand, bark, glass and metal pollutants. There is also a special design for handling floating materials. The inlet section is designed to keep turbulence to a minimum and creates an optimum flow pattern for efficient settling. The solids settle in the bottom of the classifier which contains a spiral. The inclined spiral transports the sediment slowly (speeds are kept to around 5 RPM) to minimize turbulence to the discharge.

The bottom conveyor is derived from the SPIRAC® spiral range which offers:

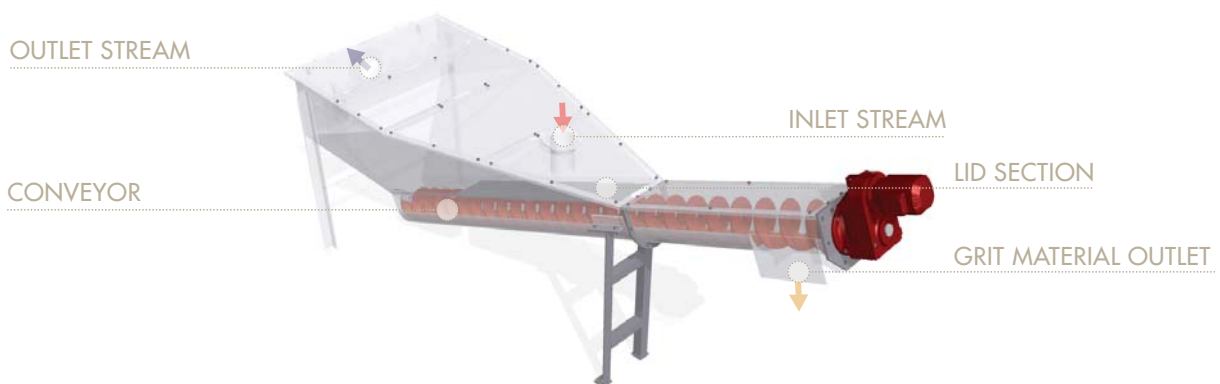
- ▶ Compact dimensions with optimal dewatering/transport capacity.
- ▶ Having no exposed bearings eradicates problems normally associated with wet applications.

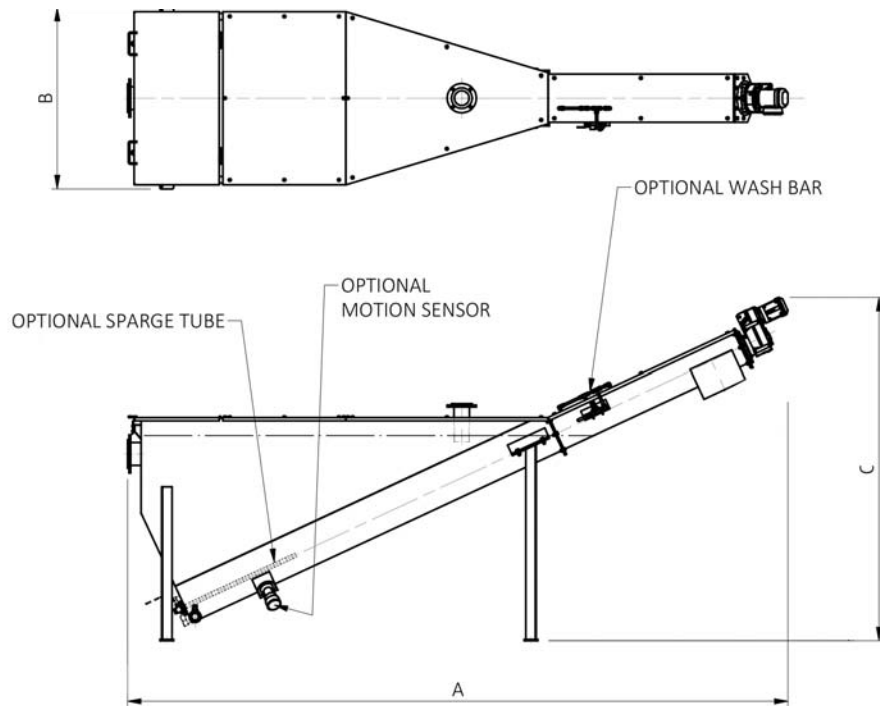
The SANDSEP®'s overflow weir arrangement avoids blockage from floating materials. It features minimal maintenance requirements due to:

- ▶ Its compact and robust design.
- ▶ Its direct-coupled gear-motor drive which does not use a central shaft and therefore eradicates the need for bearings and submerged seals.

STANDARD DESIGN

The SANDSEP® is equipped with a bolted lid over the tank and free length of the conveyor, and has an inspection door with easy opening over the overflow weir. The conveyor trough is equipped with wear bars. The drive unit is directly coupled to the driveshaft of the spiral.





MODEL	HYDRAULIC CAPACITY (L/sec)	INFLUENT INLET-CONNECTION (NB)	EFFLUENT OUTLET-CONNECTION (NB)	DISCHARGE CAPACITY AT GRIT LOADING (m ³ /hr)	MAX. MOTOR SIZE (kW)	A (mm)	B (mm)	C (mm)
SA200	up to 5	80	100	0.32	0.25	3393	912	1799
SA250	5 - 12	100	150	0.54	0.37	4840	1131	2514
SA320	12 -20	150	200	1.22	0.75	4989	1512	2610
SA355	20 -27	200	250	1.7	1.1	6565	1581	3334
SA420	27 -35	250	300	2.2	1.5	6946	1881	3525

Dimensions are for information only and not to be used for design. Please contact us for more details.



SPIRAC
WWW.SPIRAC.COM

AUSTRALIA
SPIRAC Pty Ltd

Western Australia (Perth)

+61 8 9434 0777

New South Wales (Sydney)

+61 2 8811 4100

Victoria (Melbourne)

+61 3 9717 1199

Queensland (Brisbane)

+61 7 3482 4230

info@spirac.com.au

NETHERLANDS
SPIRAC BV

Maarheeze

+31 (0) 495 430 203

info@spirac.nl

SWEDEN

SPIRAC AB

Limhamn

+46 40 36 22 00

info@spirac.se

UNITED KINGDOM

SPIRAC Limited

Banbury

+44 (1) 295 270 335

conveyors@spirac.co.uk

USA

SPIRAC (USA) Inc

Newnan GA

+1 770 632 9833

sales@spirac.com