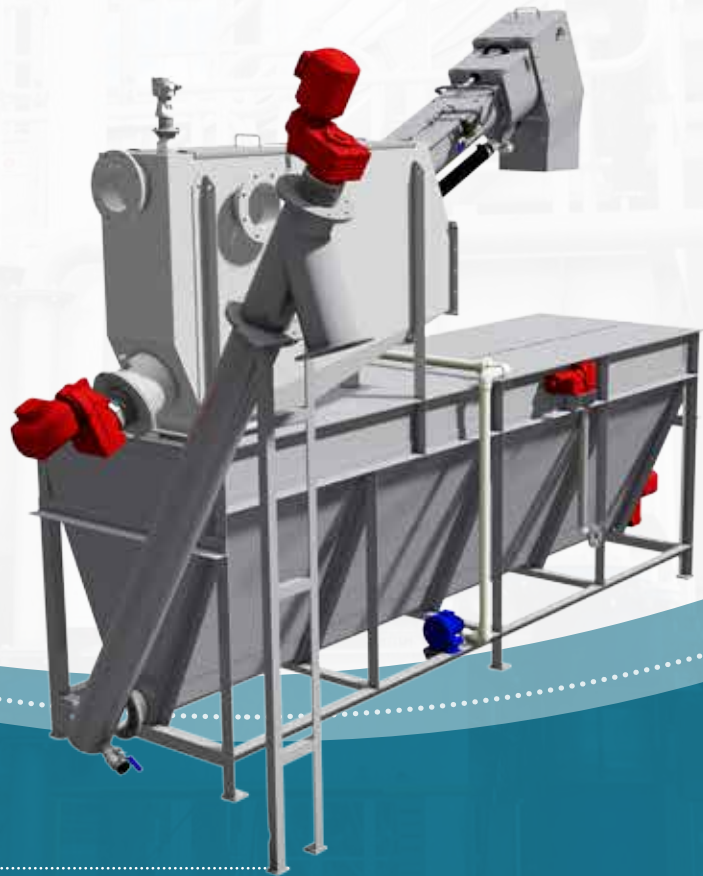




**SPIRAC**<sup>®</sup>  
Solid Handling Solutions

## COMBIGUARD<sup>®</sup>

PREFABRICATED HEADWORKS  
SOLUTION FOR THE REMOVAL  
OF SCREENINGS AND GRIT



### FEATURES AND BENEFITS

- ▶ A complete screening, grit capture and washing system.
- ▶ Designs and layout able to be customised to suit client-specific requirements.
- ▶ Space-saving solution for facilities requiring low equipment footprint.
- ▶ Lower capital cost, power consumption and wash-water usage.
- ▶ A prefabricated solution that requires greatly reduced installation time on site.
- ▶ SPIRAC technology with few moving parts, meaning lower maintenance and down time.
- ▶ Simple and reliable operation due to low head loss.
- ▶ Effective operation across a wide flow.

## COMBIGUARD® HEADWORKS PACKAGES

Bringing together a number of SPIRAC's most effective product solutions, the COMBIGUARD® has been developed to meet the requirements of small- to large-size municipal communities, for the removal of screenings and grit.

SPIRAC offers a range of individual equipment solutions for wastewater treatment plants. Such a diverse product range coupled with a high level of knowledge and expertise makes our sales, design and project management teams able to offer packaged inlet works solutions for the smallest to largest WWTP.

The COMBIGUARD® unit combines the features of:

### SPIROGUARD Compact Cleaner (CC)

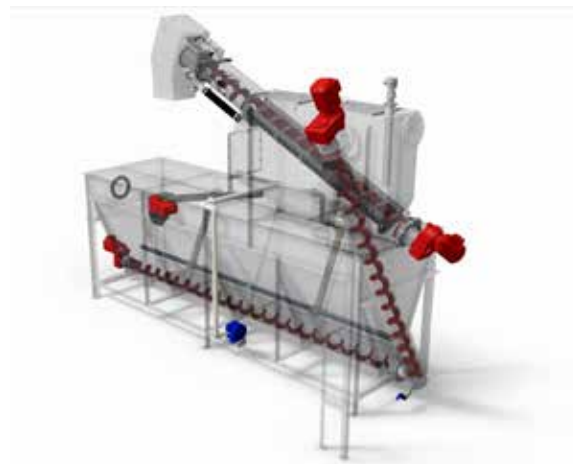
This machine combines screening, conveying, dewatering and removal of solids from effluent and process streams in one compact machine. The screen ideally suited as a tanker reception facilitator screening separation unit. SPIROGUARD® is robust, easy to install and, with only one moving part, virtually maintenance free. Slow speed combined with automatic intermittent

operation ensures a reliable and efficient system. The SPIROGUARD® CC Screen is designed as a standalone unit for pump-fed or tanker gravity flow applications.

### SANDSEP® Classifier

The SANDSEP® is a highly efficient unit designed to separate grit and other pollutants from process and effluent streams. The design of the inlet section reduces turbulence to a minimum and creates an optimum flow pattern for efficient settling. The solids settle in the bottom of the classifier, which contains a spiral. The spiral transports the sediment slowly (speeds are kept to around 5 RPM to minimise turbulence) to an inclined or vertical conveyor, which then discharges the grit.

COMBIGUARD® is your solution when you need to create a complete end-to-end wastewater pre-treatment plant, that covers all of the applications required for municipal facilities. When brought together with screenings washing, dewatering and flotation, a complete inlet works system can be created.

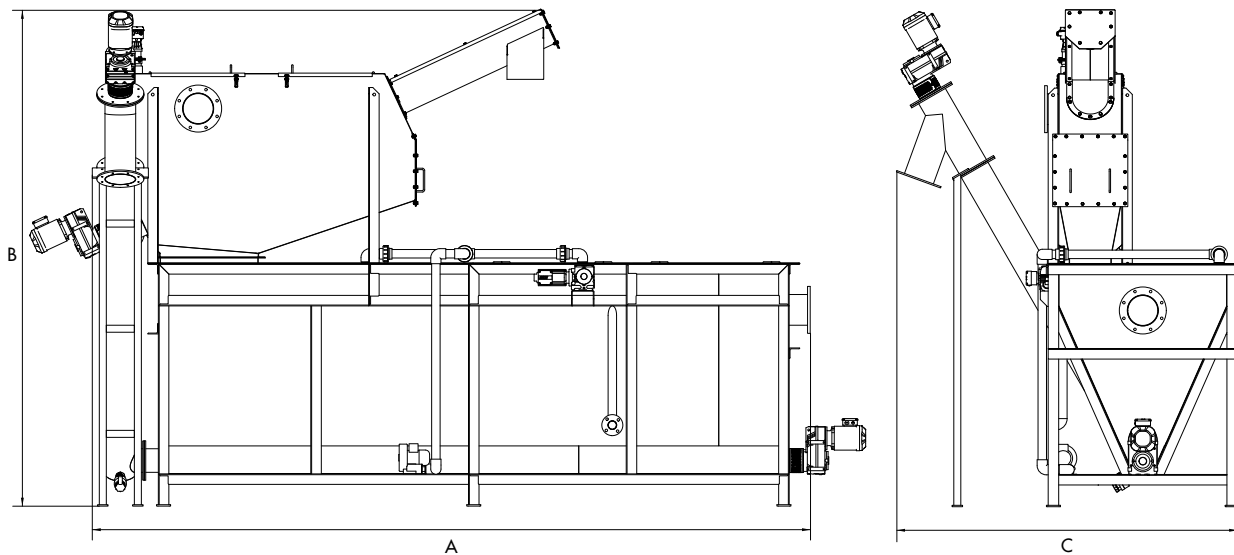


COMBIGUARD® Type1 including press head

### Type 1:

SPIROGUARD® with or without Manual Bar Screen by-pass and a SAL (Rectangular tank with horizontal & incline conveyors). The following options are available:

- ▶ Aeration diffuser system for retention of organics during low or no flow conditions
- ▶ Fat, oil, grease (FOG) skimmer
- ▶ Press head for cost effective dewatering and compaction of screenings
- ▶ Longopac bagging systems for complete containment of screenings and grit



Model	A (in)	B (in)	C (in)	Nominal Capacity (gpm)
CG-200-040	143	134	97	630
CG-250-060	202	140	97	950
CG-250-080	261	140	97	1260
CG-300-100	320	147	97	1580
CG-350-120	379	148	97	1900
CG-400-140	438	158	97	2140
CG-400-160	497	158	97	2500



*COMBIGUARD® Type2 including SPIROGUARD®,  
Grit Vortex and SANDWASH™*

### Type 2:

We offer a wide range of equipment combinations, and screens enabling this type of COMBIGUARD® to be adapted to any requested flow requirement.



PLEASE CONTACT US FOR MORE INFORMATION

**SPIRAC (USA) INC.**

**Postal Address:**  
75 Jackson Street Suite  
300 Newnan Georgia 30263

**Phone.** +1 (770) 632 9833  
**Fax.** +1 (770) 632 9838  
**E-mail.** sales@spirac.com

**WWW.SPIRAC.COM**

ALL INFORMATION CONTAINED IN THIS DOCUMENT IS SUBJECT TO CHANGE WITHOUT NOTICE