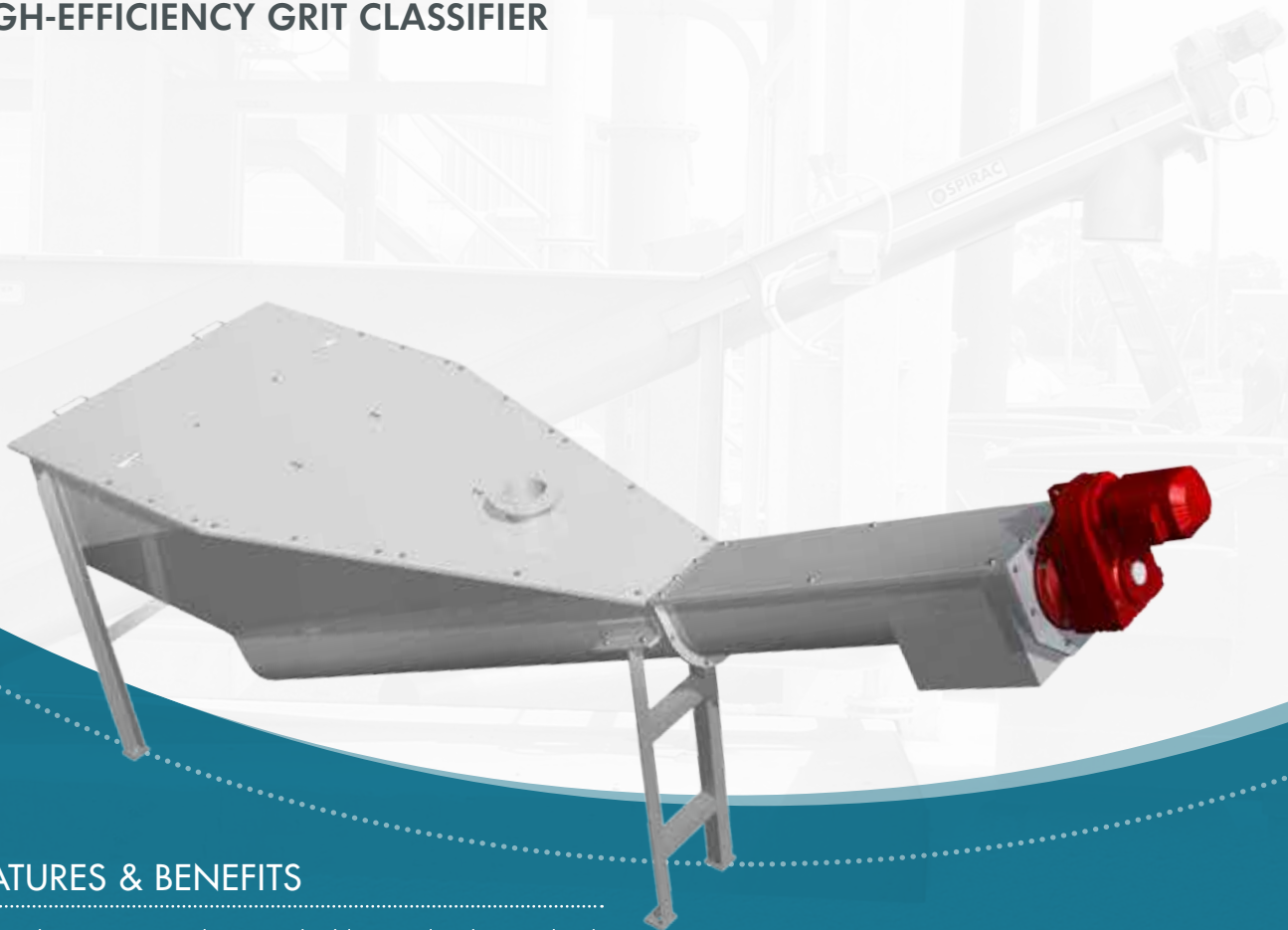




SPIRAC[®]
Solid Handling Solutions

SANDSEP[®]

HIGH-EFFICIENCY GRIT CLASSIFIER



FEATURES & BENEFITS

- ◆ Spiral conveying = eliminates build up and is designed with no intermediate or end bearings under water.
- ◆ Low speed = long life-expectancy.
- ◆ Low energy consumption = cost savings.
- ◆ Compact and robust design = low maintenance.

The SANDSEP® is designed to separate grit and other heavy particles from process and effluent streams.

The SANDSEP® is typically used in sewage treatment plants for grit, and in paper mills or industrial plants for sand, bark, glass and metal pollutants. There is also a special design for handling floating materials. The inlet section is designed to keep turbulence to a minimum and creates an optimum flow pattern for efficient settling. The solids settle in the bottom of the classifier which contains a spiral. The inclined spiral transports the sediment slowly (speeds are kept to around 5 RPM) to minimize turbulence to the discharge.

The bottom conveyor is derived from the SPIRAC spiral range which offers:

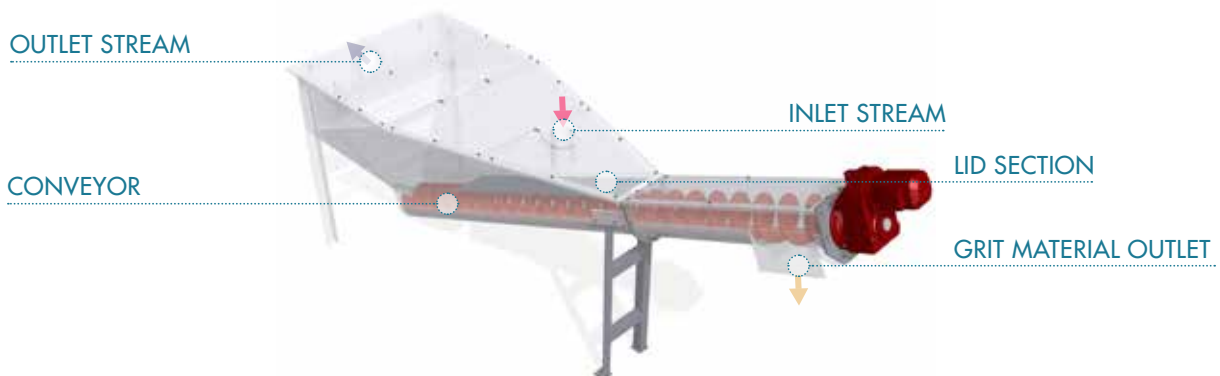
- ▶ Compact dimensions with optimal dewatering/transport capacity.
- ▶ Having no exposed bearings eradicates problems normally associated with wet applications.

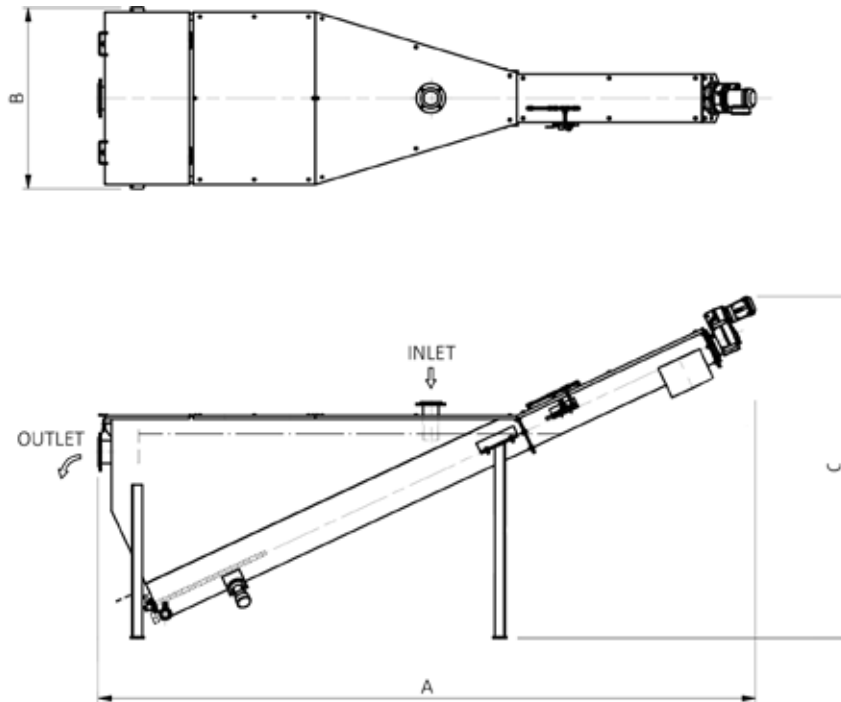
The SANDSEP®'s overflow weir arrangement avoids blockage from floating materials. It features minimal maintenance requirements due to:

- ▶ Its compact and robust design.
- ▶ Its direct-coupled gear-motor drive which does not use a central shaft and therefore eradicates the need for bearings and submerged seals.

STANDARD DESIGN

The SANDSEP® is equipped with a bolted lid over the tank and free length of the conveyor, and has an inspection door with easy opening over the overflow weir. The conveyor trough is equipped with wear bars. The drive unit is directly coupled to the driveshaft of the spiral.





MODEL	HYDRAULIC CAPACITY (l/sec)	INFLUENT INLET-CONNECTION (NB)	EFFLUENT OUTLET-CONNECTION (NB)	DISCHARGE CAPACITY AT GRIT LOADING (m³/hr)	MAX. MOTOR SIZE (kW)	A (mm)	B (mm)	C (mm)	WEIGHT (kg)	WATER VOL. (l)
SA200	up to 5	80	100	0.3	0.25	3392	915	1803	326	380
SA250	5 - 12	100	150	0.5	0.37	4815	1270	2507	613	1350
SA320	12 - 20	150	200	1.2	0.75	4976	1512	2592	796	1680
SA355	20 - 27	200	250	1.7	1.1	6534	1512	3298	1128	3110
SA420	27 - 35	250	300	2.5	1.5	6969	1812	3539	1393	3890

Dimensions are for information only and not to be used for design. Please contact us for more details.



SPIRAC
WWW.SPIRAC.COM

AUSTRALIA

SPIRAC Pty Ltd

Western Australia (Perth)

+61 8 9434 0777

New South Wales (Sydney)

+61 2 8811 4100

Victoria (Melbourne)

+61 3 9717 1199

Queensland (Brisbane)

+61 7 3482 4230

info@spirac.com.au

NETHERLANDS

SPIRAC BV

Maarheeze

+31 (0) 495 430 203

info@spirac.nl

SWEDEN

SPIRAC AB

Limhamn

+46 40 36 22 00

info@spirac.se

UNITED KINGDOM

SPIRAC Limited

Banbury

+44 (1) 295 270 335

conveyors@spirac.co.uk

USA

SPIRAC (USA) Inc

Newnan GA

+1 770 632 9833

sales@spirac.com