



SPIRAC[®]
Solid Handling Solutions

SANDWASH™

GRIT WASHER



The SANDWASH™ is designed for those applications where any visible organics on the grit is unacceptable. SANDWASH™ is fed from a vortex, aerated grit chamber, detritor tank, or uses other means of grit separation either by airlift or grit pump.

SANDWASH™ can be supplied as a complete grit capturing and washing system in combination with the SPIRAC Vortex Grit Unit. SANDWASH™ utilizes a multi-stage washing process to remove organics with other larger, lower-density objects returned to the downstream biological treatment. SANDWASH™ is used for washing, dewatering and transporting mechanically separated grit in Wastewater Treatment Plants.

FEATURES AND BENEFITS

- ▶ An optional VSD allows for optimization of the grit screw discharge speed to all for optimum water drainage from the grit, depending on the plant grit loading.
- ▶ Any retained screenings are swept over the weir by the stirrer wiper arm to ensure that no blockages can occur over time.
- ▶ A multi-diffuser plate assembly with permeable rubber sandwiched between two perforated plates creates a constant velocity wash water profile through the lower grit chamber. This fluidizes the grit particles and through constant motion removes the organic particles from the grit. The stirrer assembly ensures that any lumps or stubborn grit pockets get dispersed and washed.
- ▶ The stirrer assembly and diffuser plates are accessible and serviceable from the bottom of the SANDWASH™ without requiring entry into the tank. The bottom stirrer assembly is held in place by a single retaining bolt for easy removal from underneath the tank.
- ▶ A single high precision pressure sensor/transmitter controls the washing and stirring function, and the fill and discharge cycles are controlled by simple time functions. This provides for very simple logic controls.
- ▶ An intermediate organics discharge valve periodically decants any heavier organics or particles that may not flow over the weir.



MODEL DESCRIPTION

SANDWASH™ is available in several different models with different capacities. The models are designated as follows, for example the SANDWASH™ Type SGW10 is capable of handling a pump capacity of 10 L/s.

SANDWASH™ APPLICATION AREAS

The equipment is designed for washing and mechanically separating solid particles from water. Normal applications are municipal and industrial waste water treatment plants.

Grit capture rate:

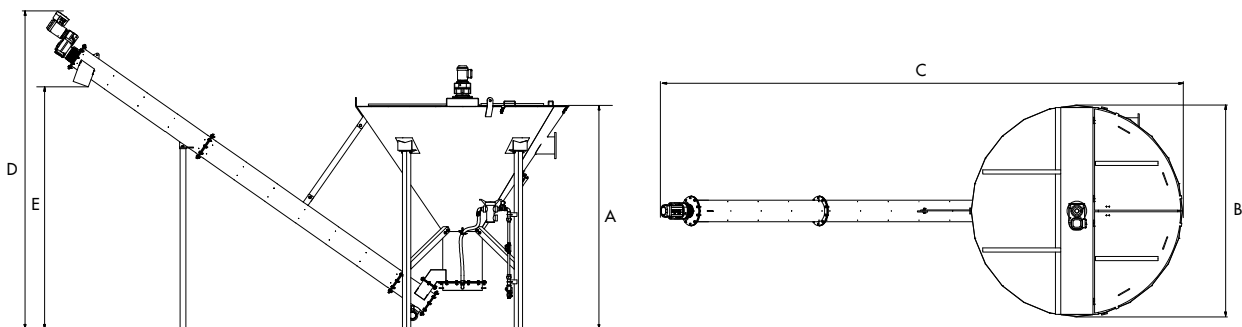
90% of grit particles with diameter of 0.2–0.25 mm.

Dewatering capability:

Approximately 90% of dry residue.

Organic content:

Less than 3% volatile solids.



Model	Hydraulic Flow Rate (l/s)	Grit Capacity (t/hr)	A (mm)	B (mm)	C (mm)	D (mm)	E (mm)	Inlet Pipe	Outlet Pipe	Organic matter outlet	Wash Water requirements @ 2-4 Bar (L/min)	Stirrer Drive	Conveyor Drive
SGW10	10	0.5	2700	2000	6300	4300	3200	DN100	DN200	DN80	80	0.55 kW @ 7 RPM	1.1 kW @ 7 RPM
SGW20	20	1.0	3000	2700	6700	4300	3250	DN100	DN200	DN80	80	0.55 kW @ 7 RPM	1.1 kW @ 7 RPM
SGW30	30	1.5	3400	3100	7400	4750	3550	DN150	DN300	DN100	120	0.55 kW @ 7 RPM	1.5 kW @ 7 RPM

Dimensions are for information only and not to be used for design. Please contact us for more details.



SPIRAC
WWW.SPIRAC.COM

AUSTRALIA

SPIRAC Pty Ltd

Western Australia (Perth)
+61 8 9434 0777

New South Wales (Sydney)
+61 2 8811 4100

Victoria (Melbourne)
+61 3 9717 1199

Queensland (Brisbane)
+61 7 3482 4230

info@spirac.com.au

NETHERLANDS

SPIRAC BV

Maarheeze
+31 (0) 495 430 203
info@spirac.nl

SWEDEN

SPIRAC AB

Limhamn
+46 40 36 22 00
info@spirac.se

UNITED KINGDOM

SPIRAC Limited

Banbury
+44 (1) 295 270 335
conveyors@spirac.co.uk

USA

SPIRAC (USA) Inc

Newnan GA
+1 770 632 9833
sales@spirac.com