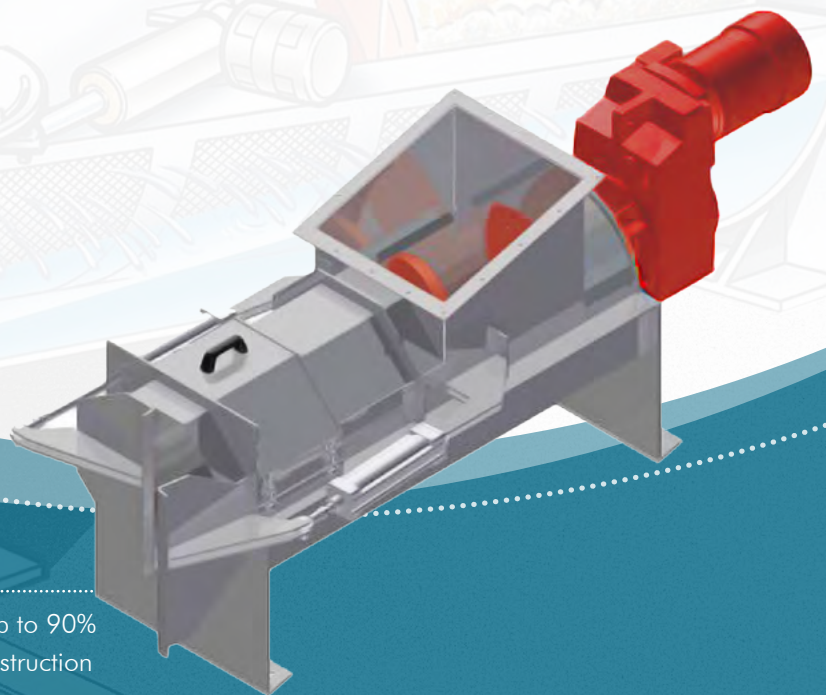




**SPIRAC**<sup>®</sup>  
Solid Handling Solutions

## **SPIROPAC**<sup>®</sup> HEAVY-DUTY SCREW PRESS



### FEATURES AND BENEFITS

- ▶ Extremely high compaction rate – up to 90%
- ▶ High capacities and heavy-duty construction
- ▶ Space saving
- ▶ High efficiency and reliability
- ▶ No intermediate or end bearings
- ▶ Virtually maintenance free
- ▶ Completely enclosed
- ▶ Low capital cost
- ▶ Handles bulky materials

The SPIROPAC® Compactor is a heavy-duty shaftless screw press which compacts coarse materials of consistent or mixed sizes.

The SPIROPAC® achieves exceptionally high compaction ratios by combining an extremely strong spiral, low speeds and very high torques to exert high pressure on the material to be compacted.

A plug is formed against dual-back pressure plates which can be adjusted according to compaction requirements.

The SPIROPAC® Compactor has an optional dewatering zone which can be incorporated for wet materials.

Typical applications:

- Dewatering of paper mill pulper rejects
- Municipal sewage treatment plants
- Industrial coarse waste
- Shopping centre waste
- Food industry coarse waste
- Abattoirs

Model	Main dimensions (mm)			Inlet (mm)	Weight (kg)
	Length (L)	Width (W)	Height (H)		
SC500	2500	1080	1000	500	600
SC600	2500	1215	1100	600	900



AUSTRALIA  
**SPIRAC Pty Ltd**  
Western Australia (Perth)  
+61 8 9434 0777  
info@spirac.com.au

NETHERLANDS  
**SPIRAC BV**  
Maarheeze  
+31 (0) 495 430 203  
info@spirac.nl

SWEDEN  
**SPIRAC AB**  
Limhamn  
+46 40 36 22 00  
info@spirac.se

UNITED KINGDOM  
**SPIRAC Limited**  
Banbury  
+44 (1) 295 270 335  
conveyors@spirac.co.uk

USA  
**SPIRAC (USA) Inc**  
Newnan GA  
+1 770 632 9833  
sales@spirac.com