

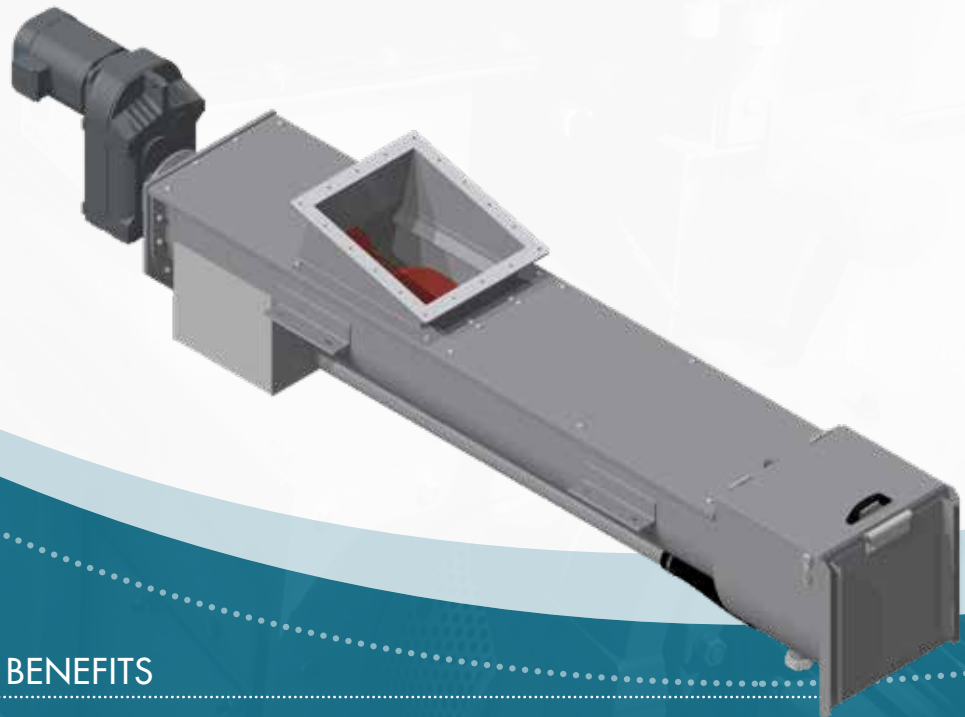


SPIRAC[®]

Solid Handling Solutions

SPIROPRESS[®]

CONVEYING, COMPACTING AND DEWATERING



FEATURES & BENEFITS

- ▶ Shaftless spiral - that do not require a centre-pipe, intermediate or end bearings – thus minimising any potential for undesired blockages.
- ▶ High fill factors, low rpm – high torque and low power usage.
- ▶ Adjustable pressure plate for optimum dewatering performance.
- ▶ Low capital cost, low power consumption, few moving parts – therefore low maintenance and operating cost.

The SPIROPRESS® is a simple yet effective dewaterer that combines conveying, dewatering and volume reduction in one compact unit. The SPIROPRESS® offers high capacity and efficient operation with the advantages of low power consumption and minimal maintenance.

The SPIROPRESS® satisfies high demands on capacity and separation effect, and is available in a range of capacities with efficient separation functionality. It is used with good results in a range of industries. The SPIROPRESS® has been designed to ensure safe operation and to keep maintenance to a minimum.

The raw screenings throughput capacity of the SPIROPRESS® is up to 30m³/hr depending on the model. The overall layout of the SPIROPRESS® can be customized to suit the individual specific project requirements.

▶ Screenings Volume Reduction

Volume reduction of the captured screenings occurs as a result of the SPIROPRESS® conveying, dewatering and compacting the screenings.

Typical average screenings volume reduction is up to 65% for screenings from fine screens and up to 80% for screenings from bar screens depending on the quality of the captured screenings.

▶ Screenings Dewatering Efficiency

For screenings from fine screens, the average dewatering efficiency is from 35 up to 45%, and from bar screenings up to 50%, depending on the quality of

the captured screenings.

▶ Screenings Weight Reduction

Water usually forms a greater proportion of the captured screenings and the equipment dewatering efficiency has a direct correlation with weight reduction of the screenings. Higher screenings weight reduction usually results from higher dewatering efficiencies.

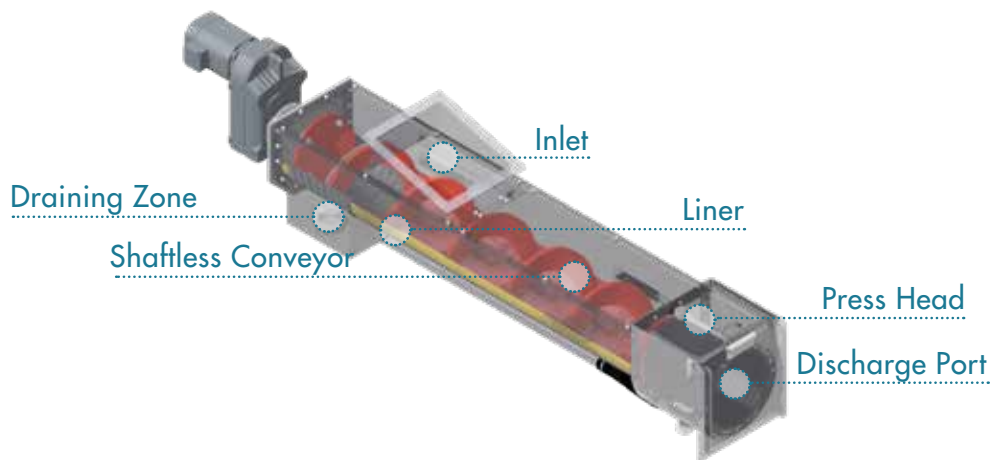
Typically, the weight reductions of the screenings can be 65% and over depending on the quality of the captured screenings.

BROAD INDUSTRIAL APPLICATIONS

The following are some but not all of the many types of industry where the SPIROPRESS® is used:

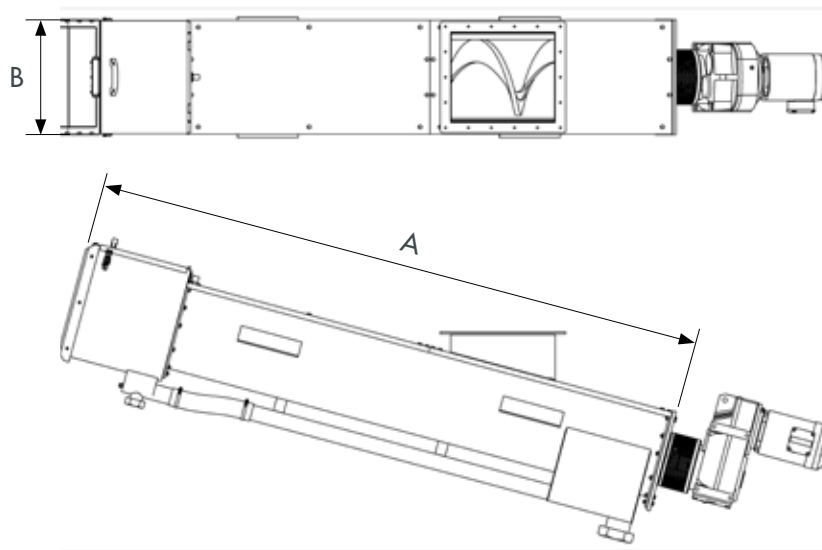
- ▶ Municipal sewage treatment plants
- ▶ Industrial treatment plants
- ▶ Food industries
- ▶ Breweries
- ▶ Abattoirs
- ▶ Pulp and paper industries.

The table on the next page shows the different standard SPIROPRESS® sizes. Please contact SPIRAC to discuss your particular project requirements.



SPIROPRESS® PERFORMANCE

- ▶ Volume reduction; typically, 40% to 80%
- ▶ Weight reduction up to 70%*
- ▶ Dewatered final product; typically, 35% to 45% D.S. content.
- ▶ Capacity up to 30m³/hr
*dependant on actual site conditions



Model	Trough Type	Capacity (ft ³ /hr)	Conveying Length including Press Head A (in)	Motor Size (hp)	Flush Water Requirements at 3-6 Bar (gallons/min)	Width B (in)
SP160	U200	Up to 35	216"	1.5	10	15"
SP215	U250	35 to 70	118"	2	10	15"
SP280	U320	105 to 175	114"	3	10	18"
SP315	U355	250 to 350	114"	5	13	19"
SP365	U420	350 to 700	130"	7.5	13	21"
SP405	U500	350 to 880	134"	10	13	31"
SP440	U500	350 to 1060	126"	10	13	31"

- 1) Dimensions are for information only and not to be used for design. Please contact us for more details.
- 2) Inclination is up to 30 degrees.



WE SPECIALISE IN

SCREENINGS HANDLING

- ▶ Screens
- ▶ Screenings washing
- ▶ Dewatering & compaction
- ▶ Conveying
- ▶ Containment & transport

GRIT HANDLING

- ▶ Grit capture & separation
- ▶ Grit washing
- ▶ Conveying
- ▶ Containment & transport

SLUDGE HANDLING

- ▶ Conveying
- ▶ Storage (silos)
- ▶ Reival (bunkers & hoppers)
- ▶ Outloading (sliding-frames & live-bottoms)
- ▶ Containment & transport



SPIRAC[®]
WWW.SPIRAC.COM

PLEASE CONTACT US FOR MORE INFORMATION

SPIRAC (USA) INC.

Postal Address:

75 Jackson Street Suite
300 Newnan Georgia 30263

Phone. +1 (770) 632 9833

Fax. +1 (770) 632 9838

E-mail. sales@spirac.com