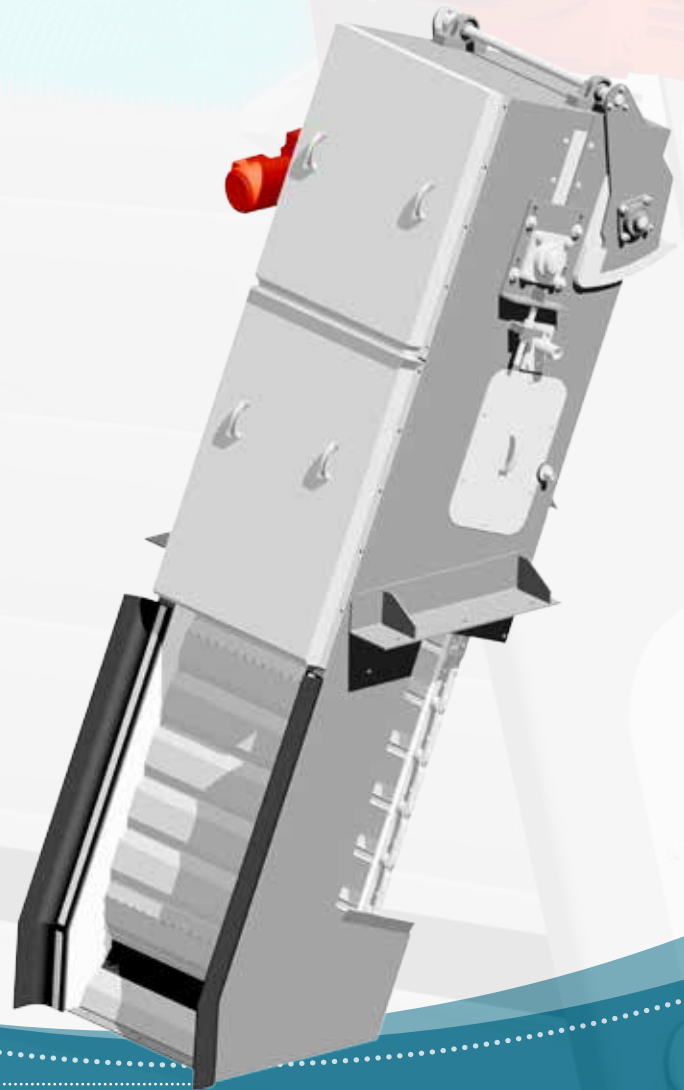




SPIRAC[®]
Solid Handling Solutions

FINEGUARD™ MOVING FINE SCREEN



FEATURES AND BENEFITS

- The screens can be designed to suit channels of up to 3m (10ft) and a channel depth up to 10m (32ft) - channel flow criteria considered.
- Available with 3mm to 6mm diameter perforated screen panels.
- Typical hydraulic flows from 40 l/sec (0.9MGD) to 2,500l/sec (57MGD).
- Two-stage cleaning of screen media - including a rotating self-adjusting brush and water jets.
- Service and maintenance are simple, the screen can be hinged out of flow for maintenance purposes. Fully retractable spray bar - allows for easy access.
- Reliable and durable side sealing system.
- High Screen Capture Ratios (SCR%) to comparable screens:
 - 3mm diameter (Ø) perforated panel has a certified average SCR of 89% [UK Water Industry Research (UKWIR) – National Screen Evaluation Facility (NSEF) Certified].
 - 6mm Ø perforated panel has a certified average SCR of 81% [UKWIR – NSEF Certified].

The FINEGUARD™ is utilised for fine screening and removes both floating and submerged debris from incoming flows. It is commonly installed in inlet works downstream from coarse screens and prevents clogging and damage to downstream equipment.

The FINEGUARD™ screen can be customised to suit a wide range of applications. The screen continually moves panels from the screening zone in front of the screen to the cleaning mechanism where the waste is removed from the perforated panels.

The FINEGUARD™ uses a two stage panel cleaning process. The first stage includes a self adjusting rotating brush which removes most of the debris. The second stage uses water jets to prevent screen panels becoming blinded by hair pinning and rag stapling. The fully removable spray bar allows cleaning if necessary. In case of accidental damage the panels are easy to replace.

Maintaining and servicing the FINEGUARD™ is simple, the majority of maintenance operations can be carried out at cope level and if required the

screen can be designed to be pivoted out of flow for maintenance purposes.

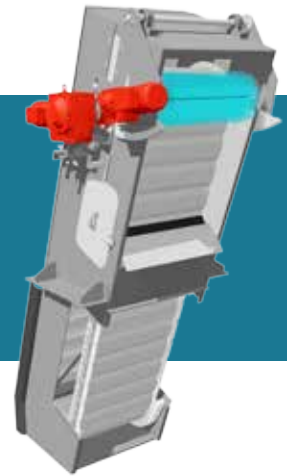
Each panel has a replaceable side seal manufactured from wear resistant plastics. The main structural side plates are manufactured for strength and rigidity. These plates incorporate side outlet passages at flow level to allow passage of screened flow minimising head loss.



The FINEGUARD™ screen is fully guarded by stainless steel covers fixed to the main side structure. Dual speed or Variable speed units can also be supplied where high screenings volumes exist.



TALK TO US ABOUT YOUR SCREENING NEEDS.
Our wide range of screens guarantees we have the right solution for you.



FINEGUARD™ test results

3mm and 6mm screen curtain aperture of the FINEGUARD™ were tested at the National Screen Evaluation Facility, Chester-le-Street STW, Co Durham. The average Screen Capture Rate (SCR) for the screen with 3 mm dia apertures was found to be 89% and the screen with 6 mm dia apertures was found to be 81%.

These results compare favourably to similar Finescreens previously tested at the NSEF.

© SPIRAC. All rights reserved. V.3.2, 10/2019

AUSTRALIA
SPIRAC Pty Ltd
Western Australia (Perth)
+61 8 9434 0777
info@spirac.com.au

NETHERLANDS
SPIRAC BV
Maarheeze
+31 495 430 203
info@spirac.nl

SWEDEN
SPIRAC AB
Limhamn
+46 40 36 22 00
info@spirac.se

UNITED KINGDOM
SPIRAC Limited
Banbury
+44 1 295 270 335
info@spirac.co.uk

USA
SPIRAC (USA) Inc
Newnan GA
+1 770 632 9833
sales@spirac.com