

SPIRAC **SC** Compactor

The SPIRAC SC Compactor is a heavy-duty shaftless screw press which compacts coarse materials of consistent or mixed sizes.

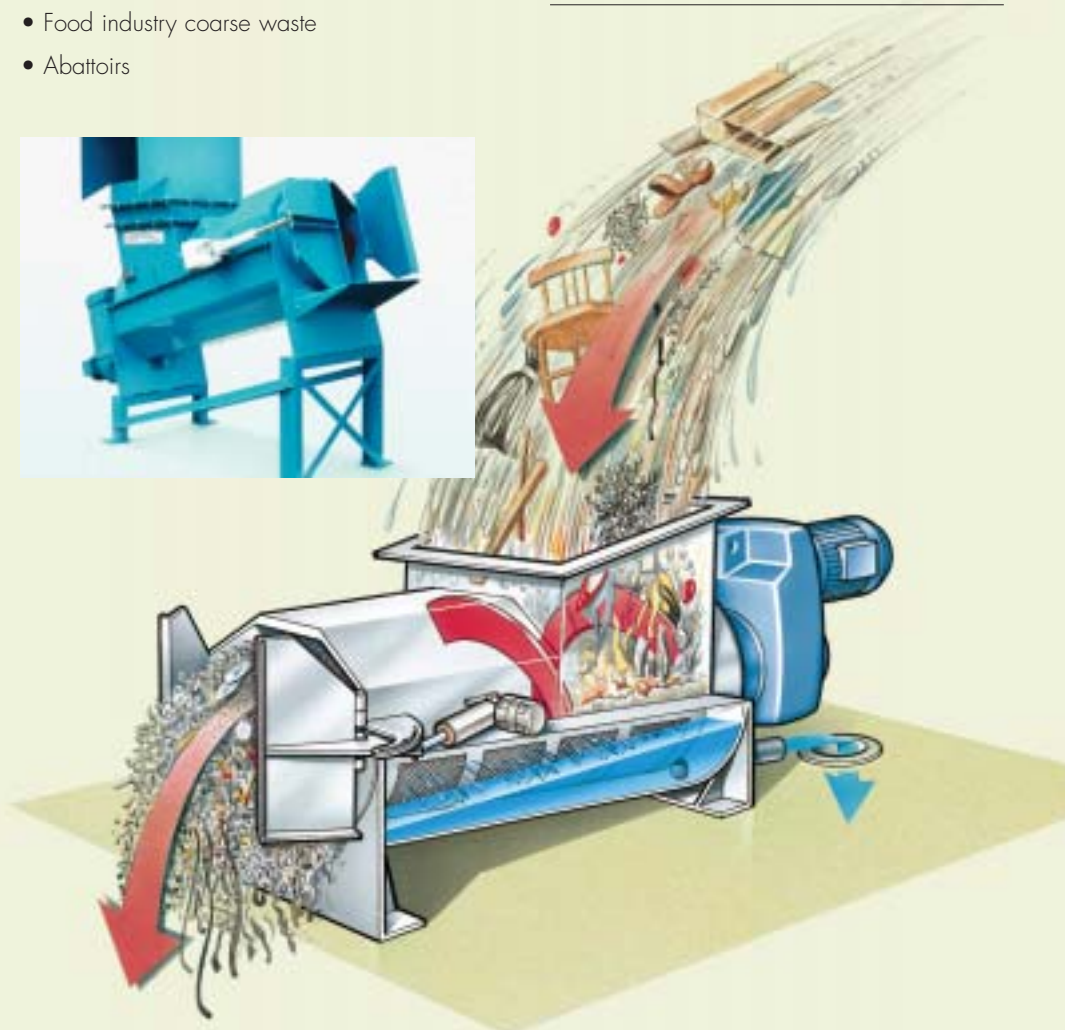
The SC model achieves exceptionally high compaction ratios by combining an extremely strong spiral, low speeds and very high torques to exert high pressure on the material to be compacted. A plug is formed against dual-back pressure plates which can be adjusted according to compaction requirements.

The SPIRAC SC-D Compactor has an optional dewatering zone which can be incorporated for wet materials.

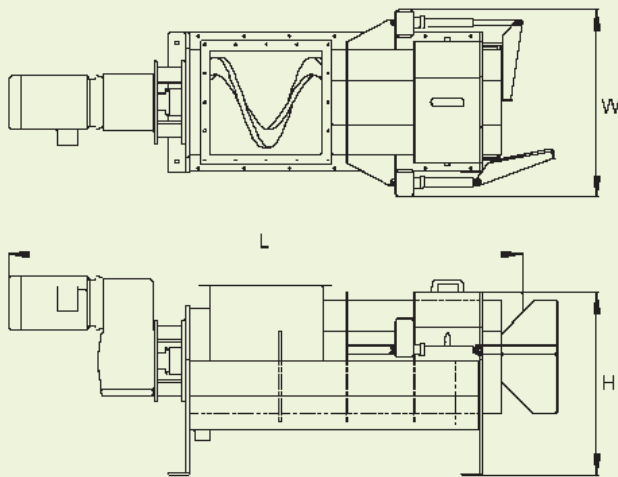
Typical applications

- Dewatering of paper mill pulper rejects
- Municipal sewage treatment plants
- Industrial coarse waste
- Shopping centre waste
- Food industry coarse waste
- Abattoirs

-
- **EXTREMELY HIGH COMPACTION RATE – UP TO 90%**
 - **HIGH CAPACITIES**
 - **HEAVY-DUTY CONSTRUCTION**
 - **SPACE SAVING**
 - **HIGH EFFICIENCY**
 - **HIGH RELIABILITY**
 - **NO INTERMEDIATE OR END BEARINGS**
 - **VIRTUALLY MAINTENANCE FREE**
 - **COMPLETELY ENCLOSED**
 - **LOW CAPITAL COST**
 - **HANDLES BULKY MATERIALS**
-



SPIRAC SC Compactor Standard Dimensions



Options

- Compressed air
- Electro magnetic
- Automatic control

Model		SC500	SC600
Main dimensions (mm)	Length (L)	2500	2500
	Width (W)	1080	1215
	Height (H)	1000	1100
Inlet, 1 x b (mm)		500 x 500	600 x 600
Spiral diameter (mm)		480	600
Weight (kg)		600	900
Body and support legs:		Stainless steel or mild steel	Stainless steel or mild steel
Spiral:		Special steel or stainless steel	Special steel or stainless steel