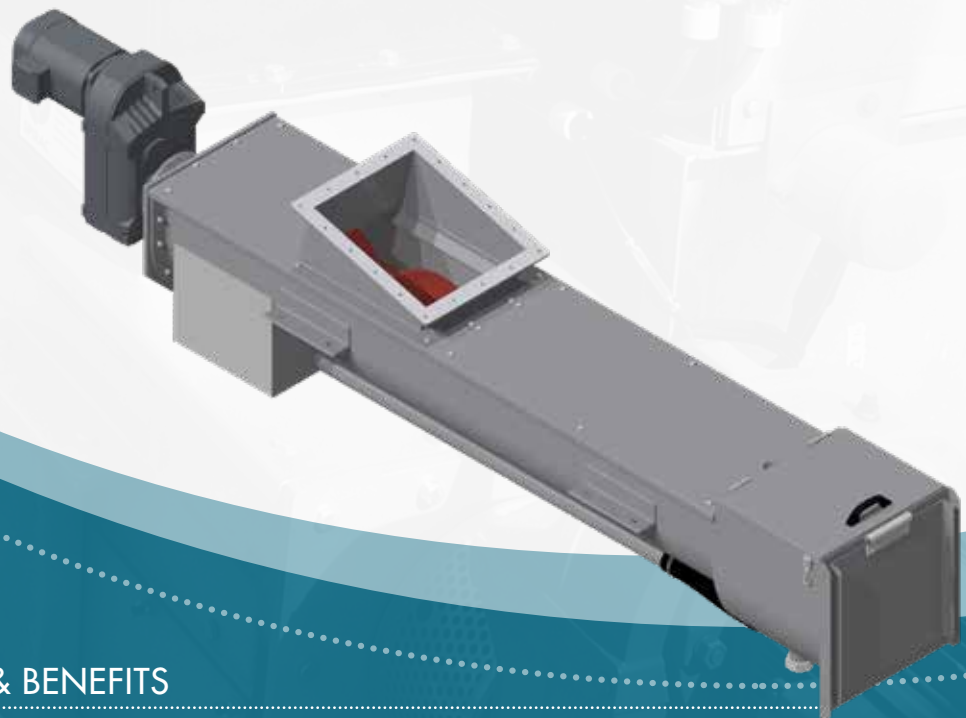




SPIRAC®

SPIROPRESS®

CONVEYING, COMPACTING AND DEWATERING



FEATURES & BENEFITS

- ▶ Shaftless spiral - that do not require a centre-pipe, intermediate or end bearings – thus minimising any potential for undesired blockages.
- ▶ High fill factors, low rpm – high torque and low power usage.
- ▶ Adjustable pressure plate for optimum dewatering performance.
- ▶ Low capital cost, low power consumption, few moving parts – therefore low maintenance and operating cost.

The SPIROPRESS® is a simple yet effective dewaterer that combines conveying, dewatering and volume reduction in one compact unit. The SPIROPRESS® offers high capacity and efficient operation with the advantages of low power consumption and minimal maintenance.

The SPIROPRESS® satisfies high demands on capacity and separation effect, and is available in a range of capacities with efficient separation functionality. It is used with good results in a range of industries. The SPIROPRESS® has been designed to ensure safe operation and to keep maintenance to a minimum.

The raw screenings throughput capacity of the SPIROPRESS® is up to 30m³/hr depending on the model. The overall layout of the SPIROPRESS® can be customized to suit the individual specific project requirements.

▶ Screenings Volume Reduction

Volume reduction of the captured screenings occurs as a result of the SPIROPRESS® conveying, dewatering and compacting the screenings.

Typical average screenings volume reduction is up to 65% for screenings from fine screens and up to 80% for screenings from bar screens depending on the quality of the captured screenings.

▶ Screenings Dewatering Efficiency

For screenings from fine screens, the average dewatering efficiency is from 35 up to 45%, and from bar screenings up to 50%, depending on the

quality of the captured screenings.

▶ Screenings Weight Reduction

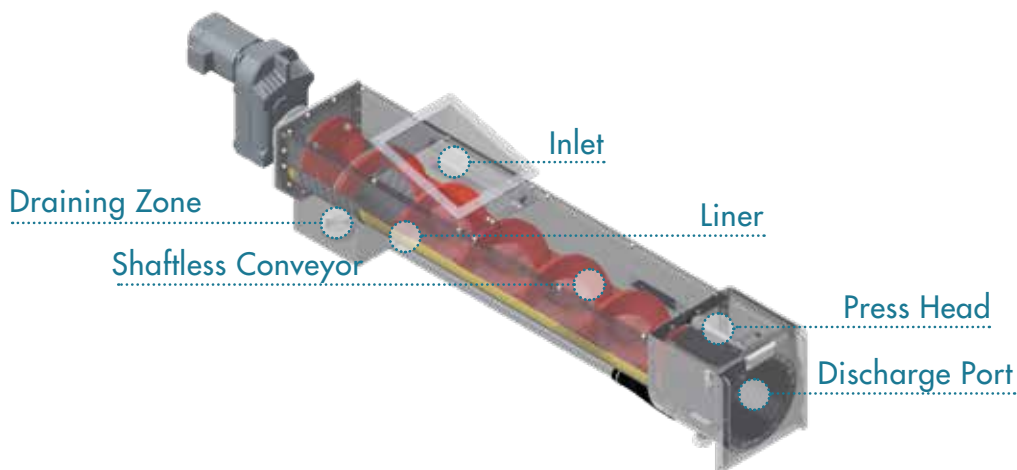
Water usually forms a greater proportion of the captured screenings and the equipment dewatering efficiency has a direct correlation with weight reduction of the screenings. Higher screenings weight reduction usually results from higher dewatering efficiencies.

Typically, the weight reductions of the screenings can be 65% and over depending on the quality of the captured screenings.

The following are some but not all of the many types of industry where the SPIROPRESS® is used:

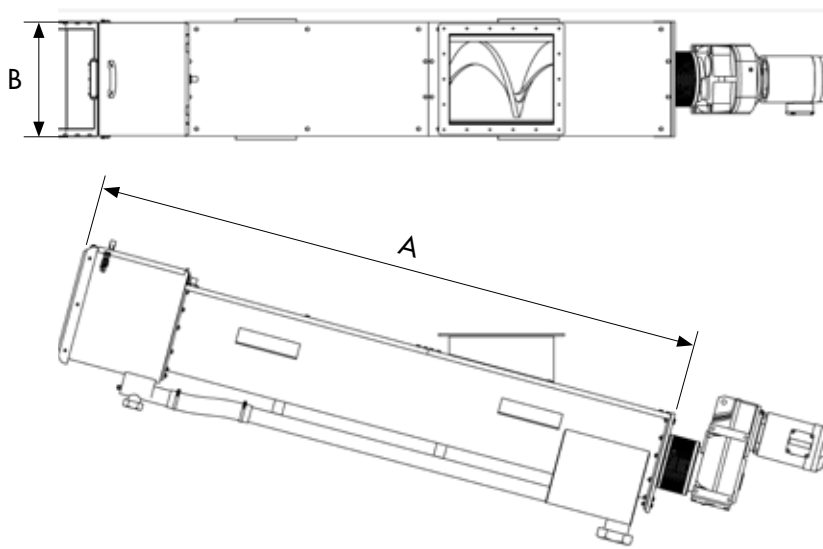
- ▶ Municipal sewage treatment plants
- ▶ Industrial treatment plants
- ▶ Food industries
- ▶ Breweries
- ▶ Abattoirs
- ▶ Pulp and paper industries.

The table on the next page shows the different standard SPIROPRESS® sizes. Please contact SPIRAC to discuss your particular project requirements.



SPIROPRESS® PERFORMANCE

- ▶ Volume reduction; typically, 40% to 80% D.S. content.
- ▶ Weight reduction up to 70%*
- ▶ Dewatered final product; typically, 35% to 45% Capacity up to 30m³/hr
*dependant on actual site conditions



Model	Trough Type	Capacity (m ³ /hr)	Typical Overall Length including Press Head A (mm)	Motor Size (kW)	Flush Water Requirements at 3-6 Bar L/sec	Width B (mm)
SP160	U200	Up to 1	2500	1.1	0.6	380
SP215	U250	1 to 2	2500	1.5	0.6	380
SP280	U320	3 to 5	2500	2.2	0.6	450
SP315	U355	7 to 10	2500	3.0	0.8	480
SP365	U420	10 to 20	2500	4.0	0.8	540
SP405	U500	10 to 25	2500	7.5	0.8	790
SP440	U500	10 to 30	2500	7.5	0.8	790

1) Dimensions are for information only and not to be used for design. Please contact us for more details.

2) Inclination is up to 30 degrees.



WE SPECIALISE IN

SCREENINGS HANDLING

- ▶ Screens
- ▶ Screenings washing
- ▶ Dewatering & compaction
- ▶ Conveying
- ▶ Containment & transport

GRIT HANDLING

- ▶ Grit capture & separation
- ▶ Grit washing
- ▶ Conveying
- ▶ Containment & transport

SLUDGE HANDLING

- ▶ Conveying
- ▶ Storage (silos)
- ▶ Receival (bunkers & hoppers)
- ▶ Outloading (sliding-frames & live-bottoms)
- ▶ Containment & transport



SPIRAC[®]
WWW.SPIRAC.COM

AUSTRALIA

SPIRAC Pty Ltd

Western Australia (Perth)
+61 8 9434 0777

New South Wales (Sydney)
+61 2 8811 4100

Victoria (Melbourne)
+61 3 9717 1199

Queensland (Brisbane)
+61 7 3482 4230

info@spirac.com.au

NETHERLANDS

SPIRAC BV

Maarheeze
+31 (0) 495 430 203
info@spirac.nl

SWEDEN

SPIRAC AB

Limhamn
+46 40 36 22 00
info@spirac.se

UNITED KINGDOM

SPIRAC Limited

Banbury
+44 (1) 295 270 335
conveyors@spirac.co.uk

USA

SPIRAC (USA) Inc

Newnan GA
+1 770 632 9833
sales@spirac.com